

-10°C ÷ 120°C
for unidirectional flow regulators
-25°C ÷ 120°C
for bidirectional flow regulators



Working pressure for unidirectional flow regulators:
From 1 to 16 Bar
Working pressure for bidirectional flow regulators:
From 0 to 40 Bar



Air only for unidirectional regulator.
Air and fluids suitable with the bidirectional regulator materials



- Parallel gas BSPP ISO 228
from G1/8" to G1/2"
- NPT
from N1/4" to N1/2"



Manual flow regulation



Body: Stainless steel AISI 316
Handle: Stainless steel AISI 316
Regulation screw: Stainless steel AISI 316

Seal: Viton

SILICONE FREE

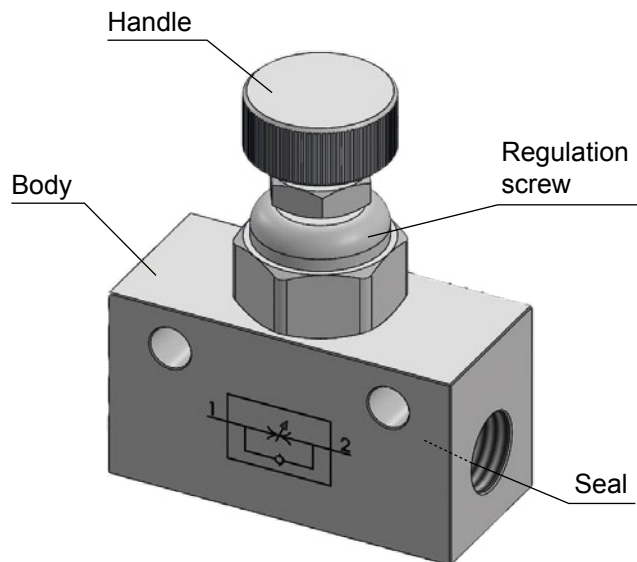


Products in compliance with EC Regulation 1907/2006

RoHS3

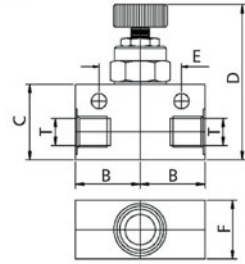
Products in compliance with the directive EU 2015/863

CONSTRUCTION DETAILS



XSFC-U

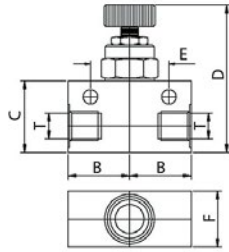
Unidirectional flat flow regulator, female BSPP thread, with manual regulation



CODE	T	B	C	D	E	F	g
XSFC-U01	G 1/8"	16,0	22,0	47,0	22,0	16,0	250
XSFC-U02	G 1/4"	27,5	32,0	56,0	31,8	25,0	350
XSFC-U03	G 3/8"	27,5	32,0	56,0	31,8	25,0	485
XSFC-U04	G 1/2"	32,0	38,0	62,0	35,0	28,0	625

XSFC-U-N

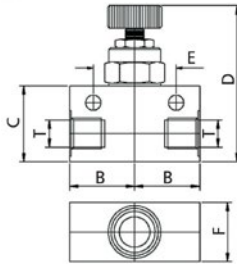
Unidirectional flat flow regulator, female NPT thread, with manual regulation



CODE	T	B	C	D	E	F	g
XSFC-U-N02	N 1/4"	27,5	32,0	56,0	31,8	25,0	350
XSFC-U-N04	N 1/2"	32,0	38,0	62,0	35,0	28,0	625

XSFC-B

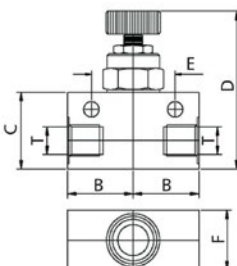
Bidirectional flat flow regulator, female BSPP thread, with manual regulation



CODE	T	B	C	D	E	F	g
XSFC-B01	G 1/8"	16,0	22,0	47,0	22,0	16,0	250
XSFC-B02	G 1/4"	27,5	32,0	56,0	31,8	25,0	350
XSFC-B03	G 3/8"	27,5	32,0	56,0	31,8	25,0	485
XSFC-B04	G 1/2"	32,0	38,0	62,0	35,0	28,0	625

XSFC-B-N

Bidirectional flat flow controller, female NPT thread, with manual regulation



CODE	T	B	C	D	E	F	g
XSFC-B-N02	N 1/4"	27,5	32,0	56,0	31,8	25,0	350
XSFC-B-N04	N 1/2"	32,0	38,0	62,0	35,0	28,0	625

